

Come to the Club Meeting Thursday February 16th

Come out to the meeting this month at Arise Brandon Assembly of God 710 South Kings Avenue in the Annex. Things get underway at 7:30 p.m. when Scott bangs the gavel to start things off.

-30-

February Program: Vector Network Analyzers

The presentation this month is a video on Vector Network Analyzers. These are capable of measuring the complex input and output impedance and transfer characteristics of devices such as antennas, filters, diplexers, and amplifiers that we commonly see in amateur radio applications. They have been expensive instruments, but there are now options low enough in price that hams interested in DIY projects can consider adding one to their workbench.

-30-

New BARS Officers for 2017

Although we had that other election in November, the thing that everyone wants to know about is the BARS officers list for 2017! I am putting this in as a reminder.

Here is the new slate of officers for the Brandon Amateur Radio Society for 2017.

President: Scott Irwin W8UFO

Vice President: Bernie Huth W4BGH

Secretary: Mary Ann Kramer N2RPW

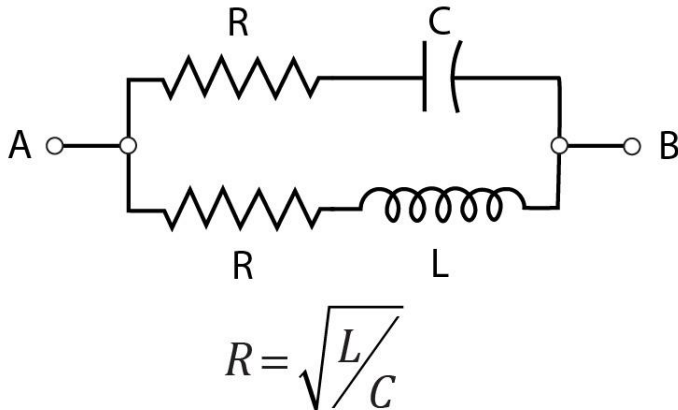
Treasurer: Jim Moorehead WFAC

-30-

Here's A Puzzle!

Bernie W4BGH sent this head-scratcher in.

What is the resonant frequency for the following circuit with the value of R shown below the circuit diagram?



The EDITOR has the answer, but I am not going to publish the details. Come out to the meeting on Thursday and Bernie will give you the details!

-30-

That wraps it up for this month. Have FUN with radio!

Keep in Mind Our Weekly Nets and Bulletins

Monday 8 p.m. The Two Meter Net 147.765 - 147.165 MHz Hosted by Doris Haskell WB9VDT

Tuesday 7 p.m. 6-meter Roundtable 50.200 MHz USB followed at 8 p.m. with the 10 Meter Roundtable 28.365 MHz USB

Send us your articles AND PICTURES! We do much more in the digital format! I would like to have pictures of BARS members and their ham shacks!

Remember to check out the BARS website:

brandonhamradio.org